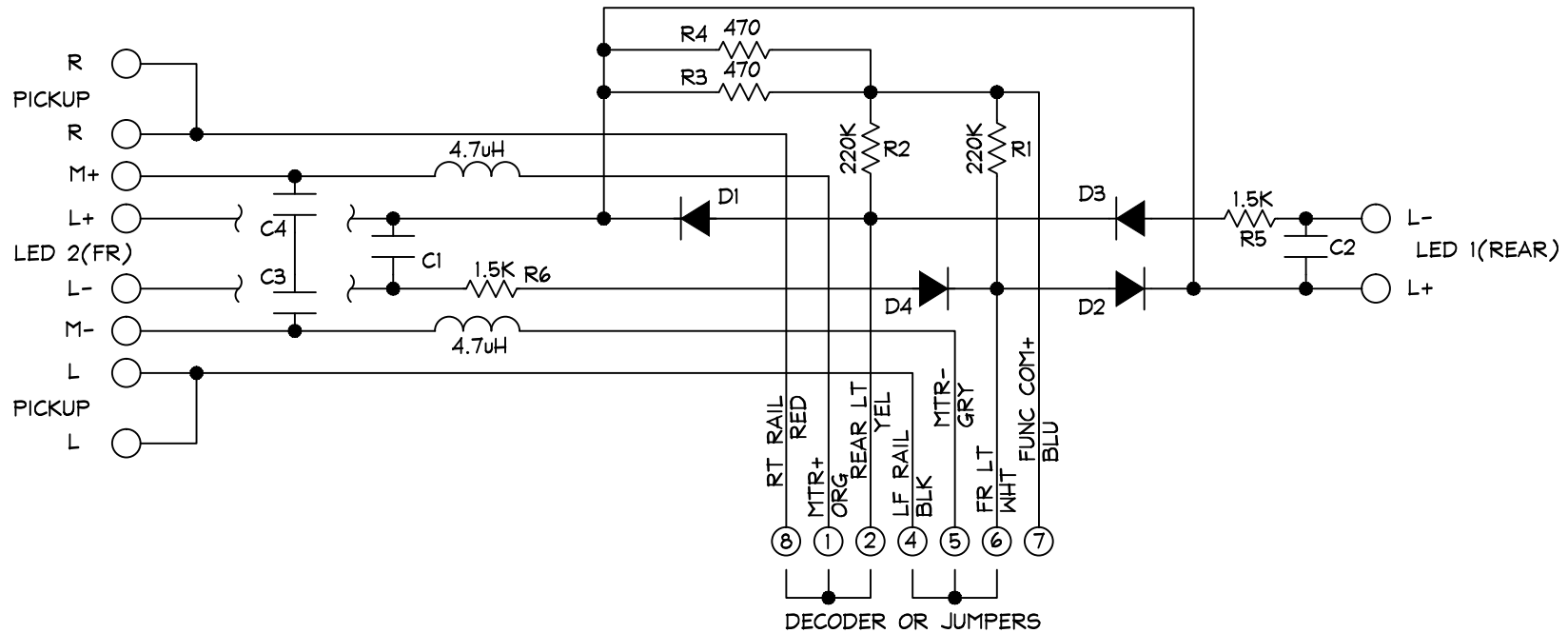


02/26/15 9:50:03 AM C:\USERS\JIM\APPPDATA\LOCAL\TEMP\ACPU\BACH\_44T\_BOARD.DWG



L1044# PCB01  
 REV-A  
 060905

SCALE: N/A	PROJECT: 44 T DIESEL LIGHT BOARD	TITLE: BACHMANN 44 T SWITCHER PCB01
DRAWN: JIM X	LOC: NAMPA, ID	DRG: PCB01-SMD
DATE: 2/11/15	JOB NO: DCC	Bach 44t board.dwg
		REVISION 0